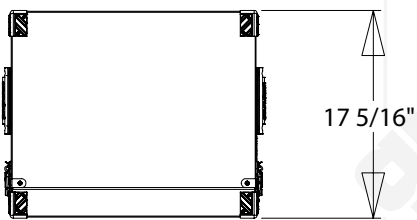
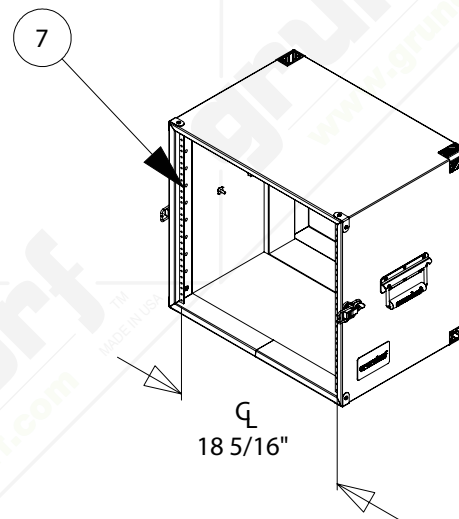
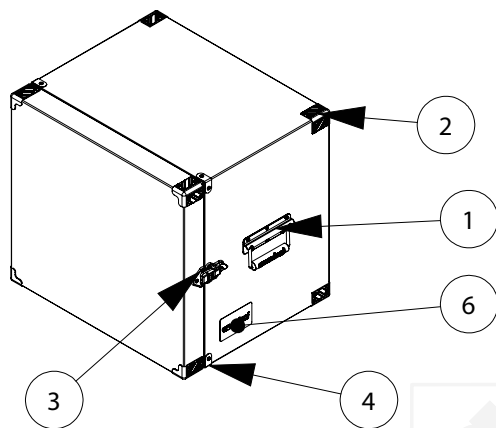
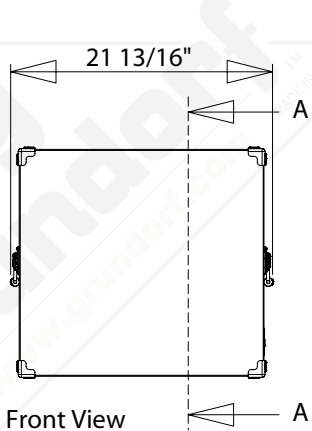


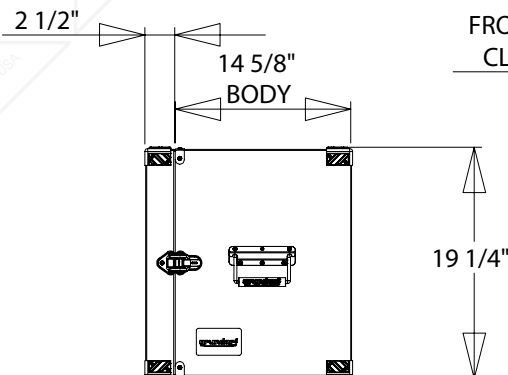
#	Qty	PART NUMBER	DESCRIPTION
1	2	31-009	HANDLE - SURFACE, SPRING, BLACK
2	8	32-003	CORNER - PLASTIC CHEVRON/BLACK
3	2	34-002	LATCH - LARGE/SURFACE/BLACK
4	4	35-004	CLAMP - SMALL 2 HOLE/BLACK
5	1	39-001	PORT HOLE - 2" PLASTIC/BLACK
6	1	83-009	BADGE - MIGHTY LIGHT
7	2	41-010	RACK RAIL-10 SPACE



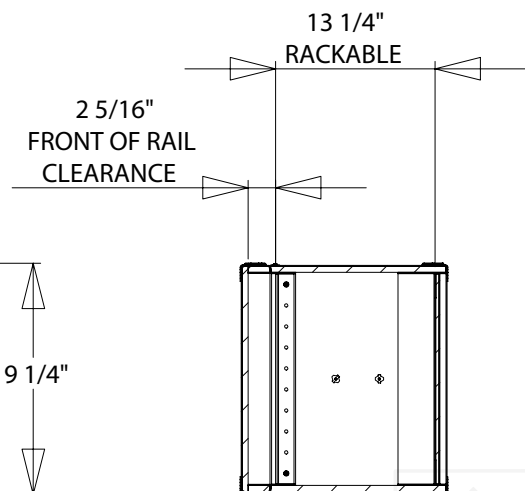
Top View



Front View



Side View



SECTION A-A